

Telops

Methane Alternative Test Method Request – Visual Workflow

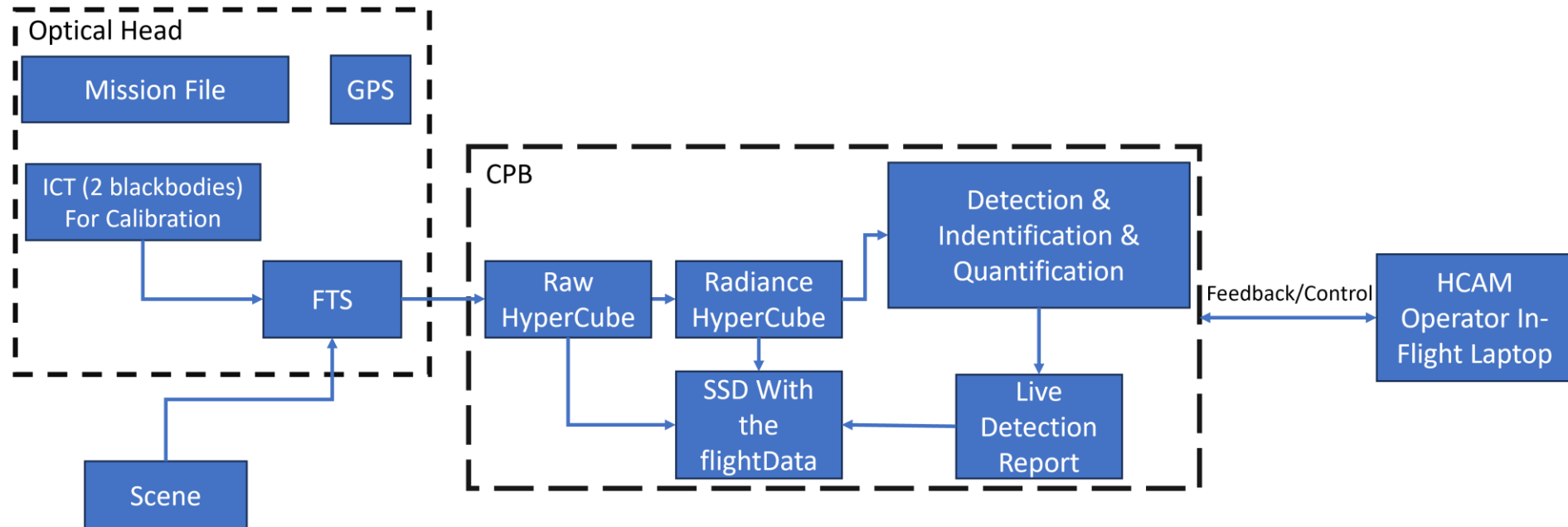
Table of contents

1 Introduction	3
2 Visual Scientific Workflow	3
3 Visual General Workflow	4
3.1 Pre-Flight	4
3.2 In-Flight	5
3.3 Post-Flight	6

1 Introduction

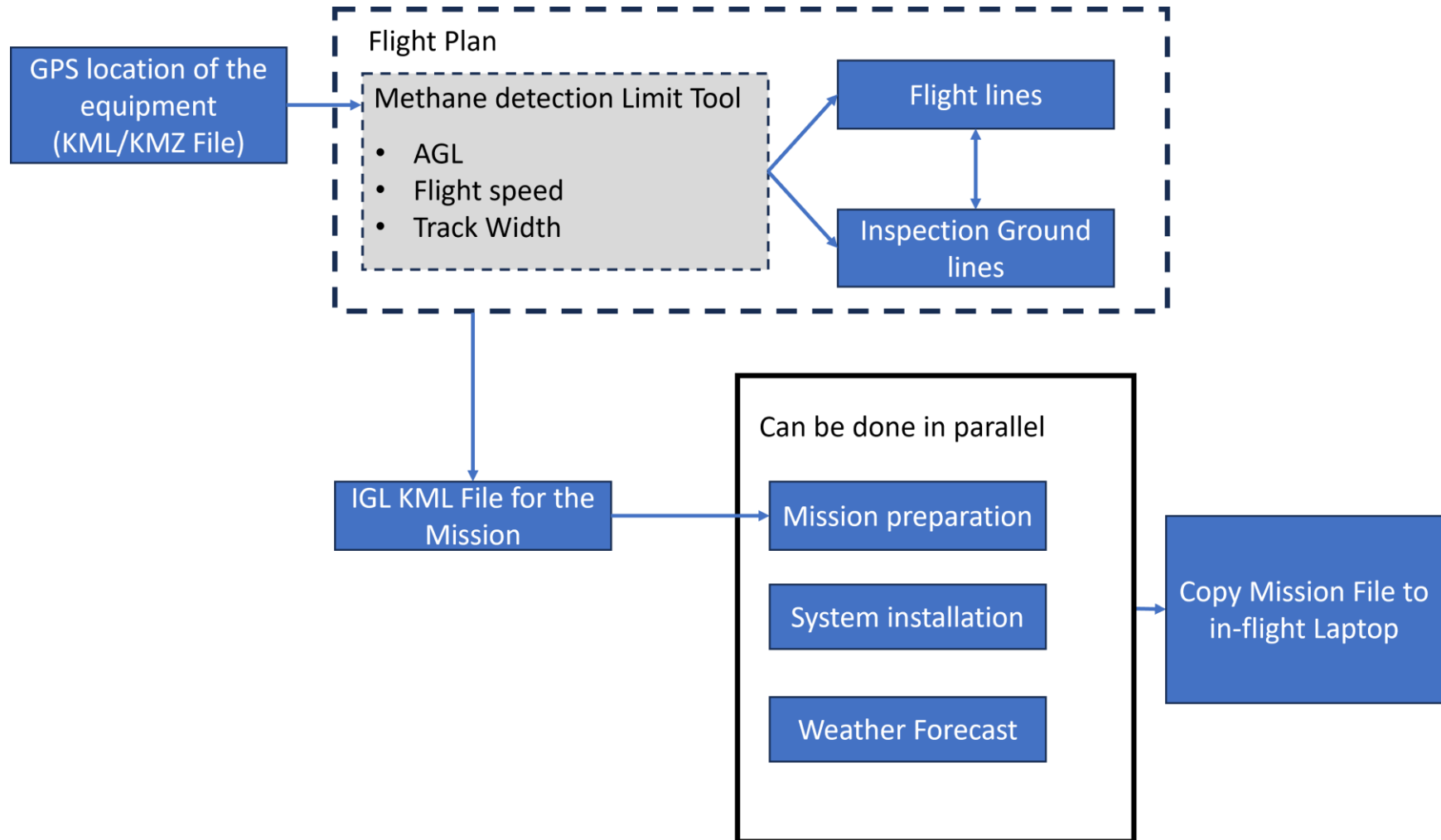
This document provides the reader with visual representations of different sections in the *Description of Technology* document. Specifically, the scientific workflow, described in section 3, illustrates the data flow visually, starting from the scene through the system and ending at the SSD device. A more general visual workflow is then presented for the section 4. The goal of these three visual workflows is to help the reader understand what the HCAM operator and their team can expect during pre-flight, in-flight, and post-flight operations.

2 Visual Scientific Workflow

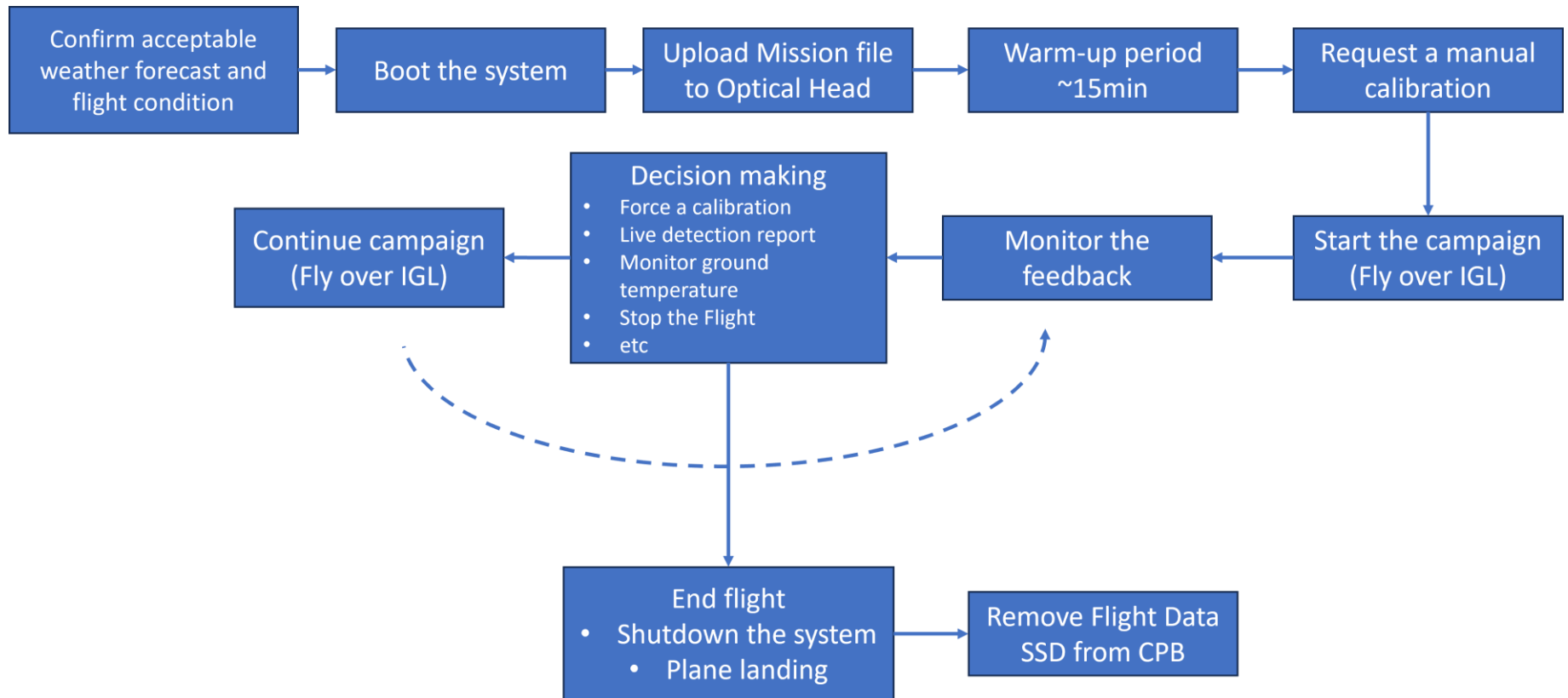


3 Visual General Workflow

3.1 Pre-Flight



3.2 In-Flight



3.3 Post-Flight

